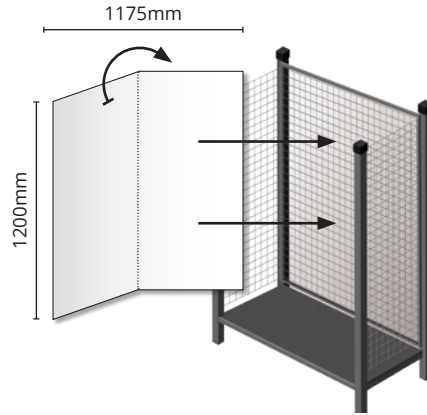


The below step-by-step guide has been created to help with the initial set-up of the ROLA low mod POS display at Anaconda. Please follow the installation guide steps carefully too help ensure each store presents the ROLA merchandise in a consistent and clear manner.



Step 1

Clear the allocated low mod bay of any existing stock and hanging hooks. Unwrap supplied display packaging items ready for installation.



Step 2

Select the 3mm white coreflute panel and fold flat. Position to rear side of cage rear wall and fix with 4 X black cable ties with join/crease line to run vertically.



Step 3

Find the side blade graphic panel with the 4x4 red car lifestyle image printed both sides; along with 5 X black cable ties.



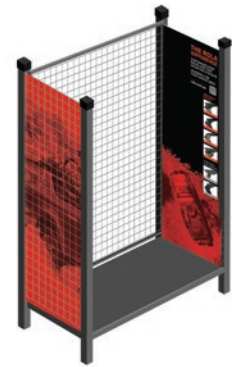
Step 4

Position the panel to the top left side cage wall and fix into position using the 5 X black cable ties onto the mesh wall (4 x outer edges and 1 x centre point).



Step 5

Find the side blade graphic with the ROLA Difference Headline text and 6 X roof rack variety images; along with 5 X black cable ties.



Step 6

Position the panel to the top right side cage wall and fix into position using the 5 X black cable ties onto the mesh wall trimming cable ties per step 4.



Step 7

Trim off all excess cable tie lengths and keep display neat and tidy. Trim cable tie to head too avoid sharp exposed edges.



Step 8

Find the header card with ROLA branding front, Anaconda branding to rear; along with 2 X T Bar magnetic clips.



Step 9

Push Magnetic clips onto the bottom edge of the header board, inset approximately 150mm from either end.



Step 10

Place header card on top of the LOW MOD Bay rear wall; centering within bay width. The high grade magnets will hold the display card in place, but can be repositioned if required.



Step 11

Referencing the planogram image below; position the 1500mm high Titan Tray Product into position back left corner, with 1200mm Titan Tray product variety to sit directly in front.



Step 12

Position Items 3-8 on the Planogram table into position top right of wire cage using the 250mm variety hanging hooks.

(Note: It is critical 250mm hanging are used here to ensure Right side blade graphics content is visible)



Step 13

Position remaining product on the rear cage mesh using the 350mm hanging hooks. Reference Planogram image below for accurate placement locations.

(Note: Heavier product items a maximum of 2 X product units per hanging hook can be displayed).



Step 14

Position 2 X Rooftop Cargo bags bottom right corner of cage, laying product flat, and stacking product on top of each other to maximise display space.



Step 15

Clean up unwanted packaging and ensure final product display is presented in the best possible manner for ROLA and Anaconda.

Product List & Planogram

REF	ITEM CODE	DESCRIPTION	L	W	D	KG
01	RHSLB	MULTI FIT LED BRACKET	285mm	120mm	55mm	1.11
02	RHSAB	MULTI FIT AWNING BRACKET	285mm	125mm	135mm	1.24
03	RSLTN8S - S4	HARDWARE PACK- TBOLT M8 S/S 4 PACK	230mm	73mm	25mm	0.12
04	RSLTB6S - S	TBOLT S/S M6 4PACK - UNIVERSAL CHANNEL	230mm	73mm	35mm	0.10
05	RWSLA20	M8x20 DROP AND TURN CHANNEL BOLT SET	230mm	73mm	30mm	0.19
06	RWSLA28	M8x28 DROP AND TURN CHANNEL BOLT SET	230mm	73mm	35mm	0.20
07	RWSLAN	M8 DROP AND TURN CHANNEL NUT SET	230mm	75mm	15mm	0.15
08	EBU	EYE BOLT UNIVERSAL	230mm	80mm	20mm	
09	RTDTH246	RATCHET 2.5cm x 4.5m PAIR TITAN Not available until late Nov. Double face with item 10 in the interum				
10	RTDOH236	RATCHET 2.5cm x 3.6m PAIR TITAN	255mm	145mm	65mm	1.35
11	RFAWCU	HULL CRADLE - CHANNEL MOUNT	240mm	165mm	170mm	1.74
12	RHSRTA	MULTI FIT RECOVERY TRACK ANGLED	465mm	165mm	155mm	3.14
13	CBTD236	ROLA TRITAN TIEDOWN CAMBUCKLE Not available until late Nov. Double face with item 11 in the interum				
14	RHSPC	MULTI FIT PIPE CLAMP PAIR 100mm	350mm	160mm	40mm	0.70
15	RHSASH	MULTI FIT AXE & SHOVEL HOLDER	532mm	375mm	165mm	1.00
16	RHSJCH	MULTI FIT JERRY CAN HOLDER	355mm	165mm	145mm	2.59
17	RHSGBH	MULTI FIT GAS BOTTLE HOLDER	465mm	160mm	100mm	2.08
18	TFT1212	TITAN ALU TRAY BLK MK2 1200mm x 1200mm	1300mm	264mm	163mm	15.50
19	TFT1512	TITAN ALU TRAY BLK MK2 1500mm x 1200mm	1591mm	260mm	163mm	18.00
20	59100-AUS	PLATYPUS ROOF TOP BAG	490mm	570mm	170mm	6.00

